

Smart Energy Center



reddot award 2016
winner

Higher Revenue

- High efficiency inverter topology
- Max. efficiency 98.6%
- European weighted efficiency 98.0%

Simple & Easy

- 10.6kg, allows one person simple installation
- Optimized AC connector for quick wiring
- Supports one-click inverter configuration

Battery Ready

- Integrated Plug & Play energy storage interface

Safe & Reliable

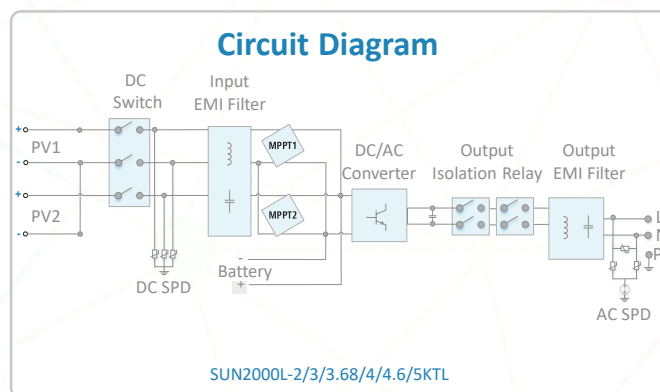
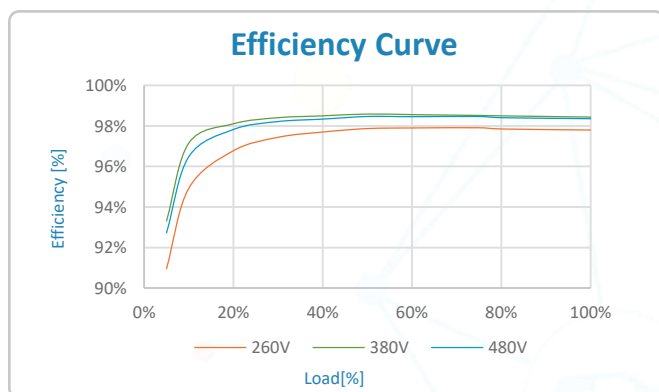
- IP65, natural convection
- Integrated lightning protection for both DC and AC
- Zero export function with smart power sensor



SUN2000L-2/3/3.68/4/4.6/5KTL

Technical Specification	SUN2000L-2KTL	SUN2000L-3KTL	SUN2000L-3.68KTL	SUN2000L-4KTL	SUN2000L-4.6KTL	SUN2000L-5KTL
Efficiency						
Max. efficiency	98.4 %	98.5 %	98.5 %	98.6 %	98.6 %	98.6 %
European weighted efficiency	97.0 %	97.6 %	97.8 %	97.9 %	98.0 %	98.0 %
Input						
Recommended max. PV power	3,000 Wp	4,500 Wp	5,520 Wp	6,000 Wp	6,900 Wp	7,500 Wp
Max. input voltage	600 V / 495 V ¹					
Operating voltage range ¹	90 V ~ 600 V / 90 V ~ 495 V ¹					
Start-up voltage	120 V					
Full power MPPT voltage range	120 V ~ 480 V	160 V ~ 480 V	190 V ~ 480 V	210 V ~ 480 V	260 V ~ 480 V	260 V ~ 480 V
Rated input voltage	380 V					
Max. input current per MPPT	11 A					
Max. short-circuit current	15 A					
Number of MPP trackers	2					
Max. number of inputs per MPPT	1					
Output						
Grid connection	Single phase					
Rated output power	2,000 W	3,000 W	3,680 W	4,000 W	4,600 W	5,000 W ²
Max. apparent power	2,200 VA	3,300 VA	3,680 VA	4,400 VA	5,000 VA ³	5,500 VA ⁴
Rated output voltage	220 V / 230 V / 240 V					
Rated AC grid frequency	50 Hz / 60 Hz					
Max. output current	10 A	15 A	16 A	20 A	23 A ⁵	25 A ⁵
Adjustable power factor	0.8 leading ... 0.8 lagging					
Max. total harmonic distortion	≤ 3 %					
Protection						
Anti-islanding protection	Yes					
DC reverse polarity protection	Yes					
Insulation monitoring	Yes					
DC lightning protection	Yes					
AC lightning protection	Yes					
Residual current monitoring	Yes					
AC overcurrent protection	Yes					
AC short-circuit protection	Yes					
AC overvoltage protection	Yes					
Over-heat protection	Yes					
General Data						
Operating temperature range	-30 ~ +60 °C (Derating above 45 °C @ Rated output power)					
Relative operating humidity	0 %RH ~ 100 %RH					
Operating altitude	0 - 4,000 m (Derating above 2,000 m)					
Cooling	Natural convection					
Display	LED indicators					
Communication	RS485, WLAN					
Weight (incl. mounting bracket)	10.6 kg (23.4 lb)					
Dimension (incl. mounting bracket)	375 * 375 * 161.5 mm (14.8 * 14.8 * 6.4 inch)					
Degree of protection	IP65					
Battery Compatibility						
Battery	LG Chem RESU 7H_R / 10H_R					
Voltage range	350 ~ 450 Vdc					
Max. current	10 A					
Communication	RS485					
Standard Compliance (more available upon request)						
Safety	EN/IEC 62109-1, EN/IEC 62109-2					
Grid connection standards	G83/2, G59/3, EN 50438, CEI 0-21, VDE-AR-N-4105, AS 4777, C10/11, ABNT, UTE C15-712, RD 1699, NRS 097-2-1, DEWA 2016					

The text and figures reflect the current technical state at the time of printing. Subject to technical changes. Errors and omissions excepted. Huawei assumes no liability for mistakes or printing errors. For more information, please visit solar.huawei.com. Version No.:01-(20181001)



*1. Only applicable for PV string. The maximum input voltage and operating voltage upper limit will be reduced to 495 V when inverter connects and works with LG battery.

*2. AS4777:4990W. *3. VDE-AR-N 4105:4600VA / AS4777:4990VA. *4. AS4777:4990VA. *5. AS4777:21.7A.

